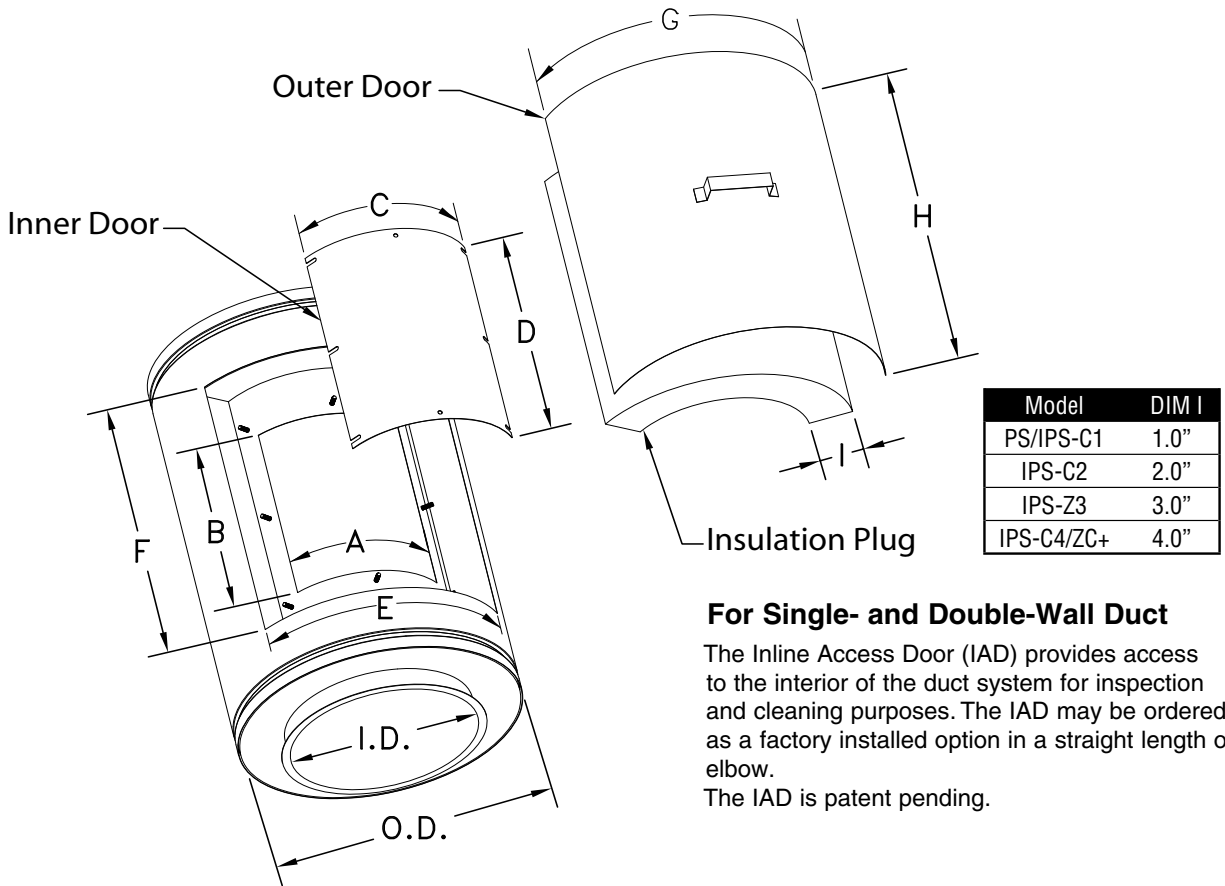


H O T P R O D U C T

Accessibility for Inspection and Cleaning the IAD Way



Model	DIM I
PS/IPS-C1	1.0"
IPS-C2	2.0"
IPS-Z3	3.0"
IPS-C4/ZC+	4.0"

For Single- and Double-Wall Duct

The Inline Access Door (IAD) provides access to the interior of the duct system for inspection and cleaning purposes. The IAD may be ordered as a factory installed option in a straight length or elbow. The IAD is patent pending.

Pipe Size (I.D.)	Inner Hole Size DIM A	Inner Hole Size DIM B	Inner Door Size DIM C	Inner Door Size DIM D	Outer Hole Size DIM E	Outer Hole Size DIM F	Outer Door Size DIM G	Outer Door Size DIM H
5" & 6"	3.5"	12.0"	6.0"	14.5"	9.5"	18.5"	12.0"	21.0"
8" & 10"	6.0"	12.0"	8.5"	14.5"	12.0"	18.5"	14.5"	21.0"
12" - 16"	9.0"	12.0"	11.5"	14.5"	15.0"	18.5"	17.5"	21.0"
18" - 22"	13.0"	12.0"	15.5"	14.5"	19.0"	18.5"	21.5"	21.0"
24" - 30"	18.0"	12.0"	20.5"	14.5"	24.0"	18.5"	26.5"	21.0"
32" & 36"	24.0"	12.0"	26.5"	14.5"	30.0"	18.5"	32.5"	21.0"

Note: IAD available on 30" pipe lengths only.
 Inner door is secured in place with wing nuts.
 Outer door is secured in place with snap-down latches.
 Outer door for double wall models only (PS, IPS & ZC).



COMMERCIAL PRODUCTS GROUP
 Authorized Representative
 5030 Corporate Exchange Blvd SE
 Grand Rapids, MI 49512
 800-848-2149



www.selkirkcorp.com

Selkirk Canada Corporation
 P.O. Box 526, Depot 1
 Hamilton, ON L8L 7X6
 Toll Free: 1.888.SELKIRK (735.5475)

SFLYSADAPTER 6/15/12